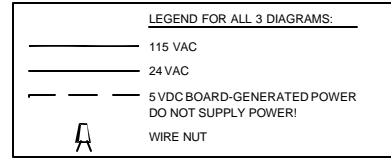
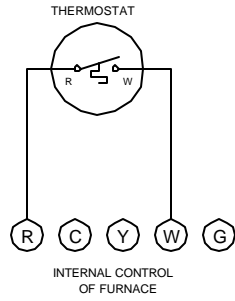
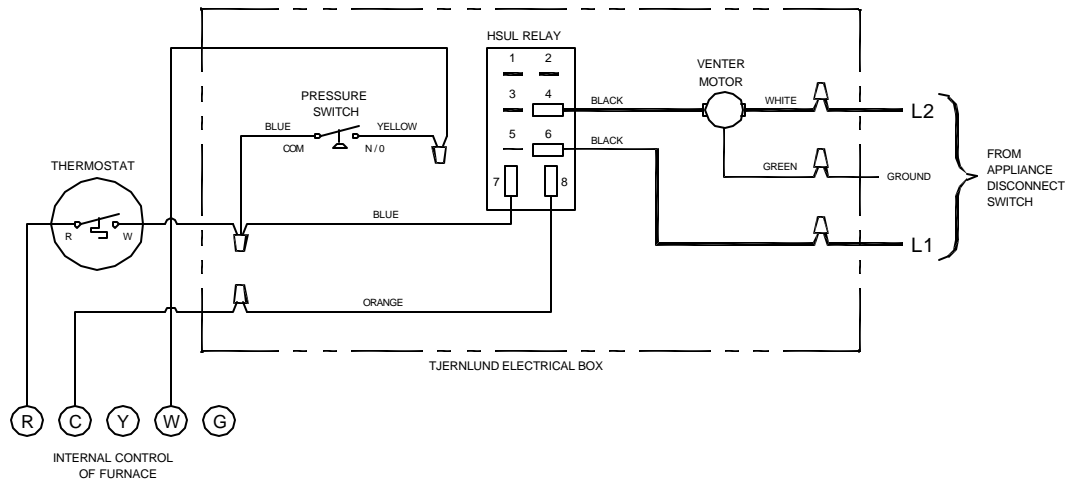


# HSUL WITH A 24 VAC THERMOSTAT CONVERTED TO A UC1

## FACTORY WIRING



## OLD STYLE 24/115 HSUL RELAY



## NEW STYLE UC1 CONTROL

