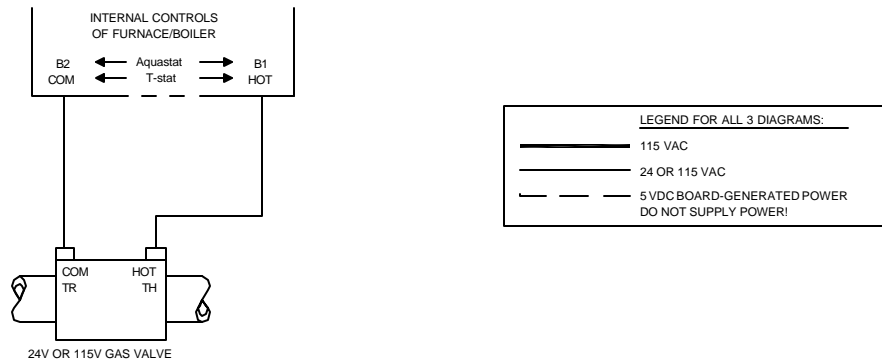
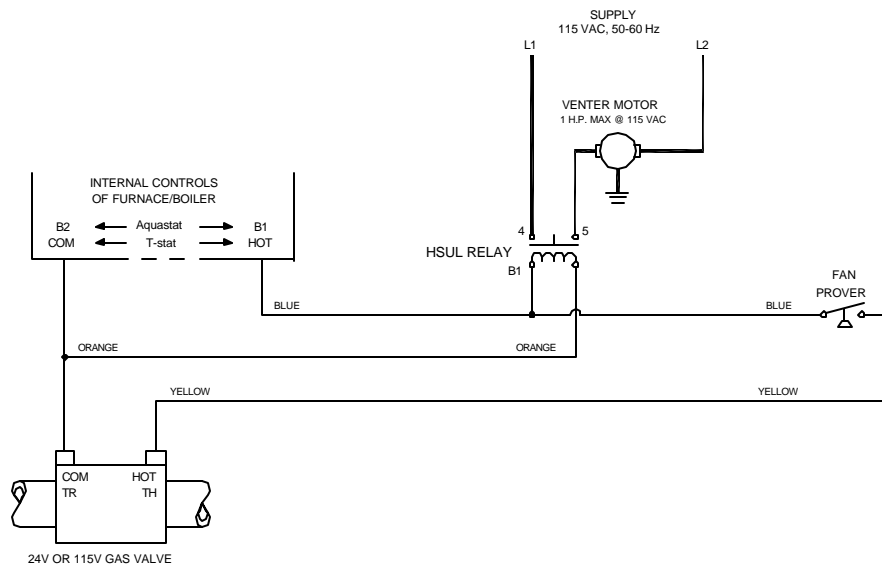


HSUL WITH A 24 VAC STANDING PILOT CONVERTED TO A UC1

FACTORY WIRING



OLD STYLE 24/115 RELAY



NEW STYLE UC1 CONTROL

